

NEW ETA CERTIFIED TECHNICIANS

The following is a list of professionals who have earned new certifications between February 1 and March 31, 2020 under one or more of ETA International's 80+ certification programs. Names of these highly qualified technicians have earned ETA's formal endorsement and approval.

CERT. #	NAME	ORGANIZATION	PROCTOR	LOCATION	CERT. #	NAME	SCHOOL	PROCTOR	LOCATION
ARINC Fiber Optics Installer (AFI)					Certified Electronics Technician (CET)				
AFI233640	Neil Croen	AV Optics	Geoff Proudley	Yeovil Somerset	WNT234046	Frank Alfaro	ETA International	Eric L Ingram	Baldwin Park CA
AFI233635	David Richardson	AV Optics	Geoff Proudley	Yeovil Somerset	CSIA233707	Robert Alvarado	Motorola	J Shane Morris	Tempe AZ
AFI233644	Gareth Whiteside	AV Optics	Geoff Proudley	Yeovil Somerset	GSPV233711	Charles Bishop	Motorola Solutions	Anne B Simoni	Tempe AZ
APX® Radio Technician (APX®)									
APX233717	George Caulfield	Motorola Solutions	Anne B Simoni	Tempe AZ	CSIA232902	David Bovard	Motorola	J Shane Morris	Ft Lauderdale FL
APX232938	Wendell Cordle	Motorola Solutions	Anne B Simoni	Ft Lauderdale FL	IND233340	Avery Bownes	Veterans Assembled electronics	William S Hose	Hartford CT
APX232937	Christopher Hays	Motorola Solutions	Anne B Simoni	Ft Lauderdale FL	IND234216	Siimon Brown	Veterans Assembled electronics	Tracy R Smith	Orlando FL
APX232929	Jason Jen	Motorola Solutions	Christopher A Hoch	Ft Lauderdale FL	BMD233169	Peter Capriglione	Trace Services	Peter Chvalovsky	Roselle IL
APX232936	Jason Larkins	Motorola Solutions	Anne B Simoni	Ft Lauderdale FL	IND232503	Jose Colon	Veterans Assembled electronics	Jeffrey M Shirreffs	Melbourne FL
APX232961	Daniel Nakano	Motorola Solutions	Christopher A Hoch	Ft Lauderdale FL	NCT236455	Joseph Cooper	PCU Tripoli	Oliver Randall	San Diego CA
APX233756	McKinley Orr	Motorola Solutions	Anne B Simoni	Tempe AZ	IND233160	Jimmy Cornelio	Veterans Assembled electronics	Michael H Aubee	Providence RI
APX232892	Vito Passalacqua	Motorola Solutions	Anne B Simoni	Ft Lauderdale FL	IND232600	Nathan DeMers	Veterans Assembled electronics	Kendall L Wilson	Orlando FL
APX233784	Charles Patterson	Motorola Solutions	Anne B Simoni	Tempe AZ	TCM233992	John Field	SCI Laurel Highlands	Harry J Hoffman	Somerset PA
APX233783	Raudel Perez	Motorola Solutions	Anne B Simoni	Tempe AZ	IND232384	Robert Flannery	Veterans Assembled electronics	Tracy R Smith	Orlando FL
APX233781	Basil Rabayda	Motorola Solutions	Anne B Simoni	Tempe AZ	IND232343	Amanda Grundy	Veterans Assembled electronics	Jeffrey M Shirreffs	Melbourne FL
APX232960	Joshua Stapley	Motorola Solutions	Anne B Simoni	Ft Lauderdale FL	Janeel Gumbs	Daniel Habbal	Veterans Assembled electronics	Steven E Valla	Melbourne FL
APX232928	Adrian Tolentino	Motorola Solutions	Christopher A Hoch	Ft Lauderdale FL	IND232822	Anne B Simoni	Veterans Assembled electronics	Robert C Berlin Jr	Orlando FL
APX232932	Michael Van Lenten	Motorola Solutions	Anne B Simoni	Ft Lauderdale FL	CSIA232900	Timothy Heinig	Motorola Solutions	Jimmy W McCracken Jr	Ft Bragg NC
APX232959	Zachary Vilardo	Motorola Solutions	Anne B Simoni	Ft Lauderdale FL	ASA232915	Miguel Hernandez	Tx Rx Systems Inc	Donald E Huston	Ft Lauderdale FL
APX232927	Kenneth Wirth	Motorola Solutions	Christopher A Hoch	Ft Lauderdale FL	CSIA233736	Kristopher Hoag	Motorola Solutions	J Shane Morris	Tempe AZ
APX232926	Benjamin Zimpfer	Motorola Solutions	Anne B Simoni	Ft Lauderdale	WNT234347	Sherman Howze	Brandman University	Humberto Ruiz	Whittier CA

CERT. #	NAME	ORGANIZATION	PROCTOR	LOCATION	CERT. #	NAME	SCHOOL	PROCTOR	LOCATION
ASTRO® 25 RF Site Preventative Maintenance (ASPM)									
ASPM233708	James Anderson	Motorola Solutions	Richard W Jamison	Tempe AZ	ASA232905	Mohammad Karim	Tx Rx Systems Inc	Donald E Huston	Ft Lauderdale FL
ASPM232952	Mikhail Brown	Motorola Solutions	Christopher A Hoch	Ft Lauderdale FL	GSPV233743	Stephen Landron	Motorola Solutions	Anne B Simoni	Tempe AZ
ASPM233720	William Corey	Motorola Solutions	Richard W Jamison	Tempe AZ	GCT233192	Felizardo Loya	IWA Technical Services Inc	Ira M Wiesenfeld	Tucson AZ
ASPM232958	Mark Crabill	Motorola Solutions	Christopher A Hoch	Ft Lauderdale FL	ASA232895	John Malin	Motorola Solutions	Christopher A Hoch	Ft Lauderdale FL
ASPM232957	Dezman Elliott	Motorola Solutions	Christopher A Hoch	Ft Lauderdale FL	GCT233202	Joel Marcott	IWA Technical Services Inc	Ira M Wiesenfeld	Tucson AZ
ASPM232950	Joshua Floto	Motorola Solutions	Richard W Jamison	Ft Lauderdale FL	GCT233198	Julian Moreno	IWA Technical Services Inc	Ira M Wiesenfeld	Tucson AZ
ASPM232948	Joseph Gendreau	Motorola Solutions	Richard W Jamison	Ft Lauderdale FL	IND232728	Matthew Nelson	Veterans Assembled electronics	Jimmy W McCracken Jr	Ft Bragg NC
ASPM232947	Christopher Hays	Motorola Solutions	Christopher A Hoch	Ft Lauderdale FL	GSPV233782	Ralph Poole	Motorola Solutions	Anne B Simoni	Tempe AZ
ASPM232946	Charles Hurd	Motorola Solutions	Christopher A Hoch	Ft Lauderdale FL	DAS233266	Luis Reyes	Douglas Co Sheriff's Office	Jeffrey D Vaughn	Castle Rock CO
ASPM232945	Mitchell Jackson	Motorola Solutions	Christopher A Hoch	Ft Lauderdale FL	GCT233190	Christopher Tomei	IWA Technical Services Inc	Ira M Wiesenfeld	Tucson AZ
ASPM233742	Jamieson Krieger	Motorola Solutions	Richard W Jamison	Tempe AZ	IND232806	Darrell Unger	Veterans Assembled electronics	Kendall L Wilson	Orlando FL
ASPM232944	Jason Larkins	Motorola Solutions	Christopher A Hoch	Ft Lauderdale FL	AVN232659	Rywil Roy Uy	373 Trng Squadron/Dtchmnt 20	Richard W Authement II	Little Rock AFB
ASPM232963	Fabian Lawes	Motorola Solutions	Richard W Jamison	Ft Lauderdale FL	IND234225	Byron Walker	Veterans Assembled electronics	Tracy R Smith	Orlando FL
ASPM232943	Vivian Marksman	Motorola Solutions	Christopher A Hoch	Ft Lauderdale FL	NST234257	Austin Ward	Upgrade	ETA International	Greencastle IN
ASPM233750	Michael Marquis	Motorola Solutions	Donald E Huston	Tempe AZ	AVN232890	Clint Williams	Technical College - Lowcountry	C A Welsh-Copeland	Beaufort SC
ASPM232956	Patrick Mathias	Motorola Solutions	Richard W Jamison	Ft Lauderdale FL	RAD232976	Clint Williams	Rollover	ETA International	Greencastle IN
ASPM233753	James Miller	Motorola Solutions	Richard W Jamison	Tempe AZ	WCM232975	Clint Williams	Rollover	ETA International	Greencastle IN
ASPM232955	Arvin Palisoc	Motorola Solutions	Richard W Jamison	Ft Lauderdale FL	WNT233513	Clint Williams	Technical College - Lowcountry	C A Welsh-Copeland	Beaufort SC
ASPM232942	Steven Palmer	Motorola Solutions	Christopher A Hoch	Ft Lauderdale FL	TCM233514	Clint Williams	Technical College - Lowcountry	CA Welsh-Copeland	Beaufort SC
ASPM232946	Roy Ramsaroop	Motorola Solutions	Ravi Kisten	Long Island City NY					
ASPM232941	William Routson	Motorola Solutions	Richard W Jamison	Ft Lauderdale FL					
ASPM233785	David Russell	Motorola Solutions	Richard W Jamison	Tempe AZ					
ASPM233786	Cory Schnelle	Motorola Solution	Richard W Jamison	Tempe AZ					
ASPM232954	Bryan Simmons	Motorola Solutions	Richard W Jamison	Ft Lauderdale FL					
ASPM232953	Piotr Sroka	Motorola Solutions	Richard W Jamison	Ft Lauderdale FL					
ASPM233794	Christopher Sullivan	Motorola Solutions	Richard W Jamison	Tempe AZ					
ASPM232940	Michael Van Lenten	Motorola Solutions	Christopher A Hoch	Ft Lauderdale FL					

CERT. #	NAME	ORGANIZATION	PROCTOR	LOCATION
Avionics (AVN)				
AVN234013	A Almodovar-Cintron	Caribbean Aviation Training Inst	Francisco A Orsini	San Juan PR
AVN234015	Adriel Melendez-Pagan	Caribbean Aviation Training Inst	Francisco A Orsini	San Juan PR
AVN233137	Yadiel Rivera-Dejesus	Caribbean Aviation Training Inst	Francisco A Orsini	Carolina PR
AVN234014	Tatyana Rivera-Farina	Caribbean Aviation Training Inst	Francisco A Orsini	San Juan PR

Master Certified Electronics Technician

The following technicians completed their Master level certification. In addition to the Associate CET certification, one must successfully obtain six other ETA certifications, with no more than two originating from the same specialized category in order to qualify. Congratulations!

CERT. #	NAME	ORGANIZATION	PROCTOR	LOCATION
US233648	Joseph Cooper	United States Navy		Chula Vista CA
US234115	Michael Stafford	Motorola Solution		Universal City TX
US234114	Clint Williams	Technical College - Lowcountry		Savannah GA

CERT. #	NAME	ORGANIZATION	PROCTOR	LOCATION
Associate Certified Electronics Specialist (CESa)				
ASTc233851	Naresh Kodali	ETA International	Jose N Talens	Edmonton AB
ASTc232493	David Proulx	ETA International	Jose N Talens	Red Deer AB
AST232434	David Tindale	Ashton Testing Services	Ananth Sundaram	Vancouver BC
Senior Certified Electronics Specialist (CESSr)				
SETR56232494	David Proulx	Upgrade	ETA International	Greencastle IN

Associate CET Hands-On Assessment

The following technicians completed their optional hands-on practical assessment for the Associate Certified Electronics Technician. Congratulations!

AHOA#	NAME	ORGANIZATION	PROCTOR	LOCATION
AHOA234105	Alrick Bryan	Veterans Assembled electronics		Melbourne FL
AHOA233527	Robert Giri	Veterans Assembled electronics		Melbourne FL
AHOA233370	Abraham Jackson	Veterans Assembled electronics		Melbourne FL
AHOA234019	Deryl Wilson	Veterans Assembled electronics		Melbourne FL

CERT. #	NAME	SCHOOL	PROCTOR	LOCATION
Associate Certified Electronics Technician (CETA)				
AST232639	Raul Aleman	ETA International	Eric L Ingram	Baldwin Park CA
AST232640	Frank Alfaro	ETA International	Eric L Ingram	Baldwin Park CA
AST233802	Jordan Ballard	TN College of Applied Technology	Carlton M Carter	Memphis TN
AST232599	Avery Bownes	Upgrade	ETA International	Greencastle IN
AST234230	Eric Broadus	Upgrade	ETA International	Greencastle IN
AST233591	Simon Brown	Upgrade	ETA International	Greencastle IN
AST232423	Jerry Burke	CALPIA	Alejandro Diaz	Imperial CA
AST232382	John Cadavid	AST upgrade	ETA International	Greencastle IN
AST234016	Peter Capriglione	Trace Services	Jay Chvalovsky	Roselle IL
AST232783	Adam Collins	Ft Myers Technical College	Ernest White	Fort Myers FL
AST233366	Jimmy Cornelio	Upgrade	ETA International	Greencastle IN
AST232749	Jarrod Crandall	Fluvanna Free Library	Lynn Grundstrom	Jamesstown NY
AST232505	Nathan DeMers	Upgrade	ETA International	Greencastle IN
AST234258	Russell Diggs	Rollover	ETA International	Greencastle IN
AST232663	Ryan Dyson	Warren Co Technical School	John E Metroke	Washington NJ
AST234379	Jason Eaton	Upgrade	ETA International	Greencastle IN
AST232641	Gilbert Espinosa	ETA International	Eric L Ingram	Baldwin Park CA
AST232646	Alfred Facundo	ETA International	Eric L Ingram	Baldwin Park CA
AST234040	Brian Flick	Upgrade	ETA International	Greencastle IN
AST232629	Bob Fodstad	Ivy Tech Community College	Lacey Kingery	Indianapolis IN
AST232638	Jeremy Gener	ETA International	Eric L Ingram	Baldwin Park CA
AST232422	Raul Gonzalez	CALPIA	Alejandro Diaz	Imperial CA
AST232630	Justin Graff	Ivy Tech Community College	Lacey Kingery	Indianapolis IN

NEW ETA CERTIFIED TECHNICIANS

The following is a list of professionals who have earned new certifications between February 1 and March 31, 2020 under one or more of ETA International's 80+ certification programs. Names of these highly qualified technicians have earned ETA's formal endorsement and approval.

CERT. #	NAME	ORGANIZATION	PROCTOR	LOCATION	CERT. #	NAME	SCHOOL	PROCTOR	LOCATION
AST233659	Omer Greer	ETA International	Lawrence W Stark	Maryland Heights MO	Certified Service Manager (CSM)				
AST232604	Janeel Gumbs	Upgrade	ETA International	Greencastle IN	CSM232664	Herman Regis	BearCom Canada	Robert B Moyer	Kitchener ON
AST232567	Daniel Habbal	Upgrade	ETA International	Greencastle IN	Customer Service Specialist (CSS)				
AST233685	Kahlil Harris	Upgrade	ETA International	Greencastle IN	CSS233396	Estella Acevedo	Windham School District	Debbie A White	Burnet TX
AST233524	Giovanny Hernandez	Upgrade	ETA International	Greencastle IN	CSS233418	Patricia Aguirre	Windham School District	Debbie A White	Burnet TX
AST232645	Kenny Hernandez	ETA International	Eric L Ingram	Baldwin Park FL	CSS233434	Ashley Alaniz	Windham School District	Debbie A White	Burnet TX
AST233368	Julia Holland	Upgrade	ETA International	Greencastle IN	CSS233270	Charles Anderson	CALPIA	Danny Armstrong	San Luis Obispo CA
AST232642	Sherman Howze	ETA International	Eric L Ingram	Baldwin Park CA	CSS233286	Aramazz Andressian	CALPIA	Linda Goodman	Ione CA
AST232550	Harold Krohne	ETA International	Lawrence W Stark	Maryland Heights MO	CSS233300	E Aparicio-Bautista	Careerline Technology Center	Renee C Slagter	Holland MI
AST234221	Daniel Leos	Upgrade	ETA International	Greencastle IN	CSS233003	Nathan Appel	Careerline Technology Center	Kenneth J Toth	Holland MI
AST234330	Dario Lukic	ETA International	Mel C Salas	Sacramento CA	CSS232697	Ruben Bais	San Antonio Industrial SchI Dist	Paul D Massey	San Antonio TX
AST232368	Kenneth Marsh	CALPIA	Alejandro Diaz	Imperial CA	CSS230659	Johnny Barnes	CALPIA - HFMS/Stockton	Jason Nelson	Stockton CA
AST232759	Gregory Milton	Upgrade	ETA International	Greencastle IN	CSS233299	Erica Baroi	Careerline Technology Center	Renee C Slagter	Holland MI
AST232784	Jorge Miranda	George T Baker Aviation Tech Coll	Howard Carter Jr	Miami FL	CSS232999	Benjamin Baxter	Careerline Technology Center	Kenneth J Toth	Holland MI
AST233987	Cesar Montano Larios	Qualcomm Inc	Conor P Loughnane	San Diego CA	CSS233214	Justin Beebe	CALPIA - Sierra Conservation Cntr	Eli Stewart	Jamestown CA
AST233982	Dario Montano Larios	Qualcomm Inc	Conor P Loughnane	San Diego CA	CSS233465	Anthony Belardo	Windham SchI Dist, Dominguez	Paul D Massey	San Antonio TX
AST232704	Todd Morrison	CALPIA	Jamie K Payne	Lancaster CA	CSS233298	Kaci Bergman	Careerline Technology Center	Renee C Slagter	Holland MI
AST234152	Scott Mullins	Marion County Library	Proctor	Ocala FL	CSS232377	Carl Ray Bermudez	CALPIA	Alejandro Diaz	Imperial CA
AST233177	Alford Myers	Kimberling City Public Library	Sharon Clarke	Kimberling City MO	CSS233427	Alyssa Bill	Windham School District	Debbie A White	Burnet TX
AST232659	Matthew Nelson	Upgrade	ETA International	Greencastle IN	CSS233381	Alex Blasko	Carbon Career & Technical Inst	Joseph S Farkas	Jim Thorpe PA
AST233539	Egardo Onas	ECPI University	Christopher S Fritel	Newport News VA	CSS233297	Josie Bouman	Careerline Technology Center	Renee C Slagter	Holland MI
AST232560	Dustyn Patton	AE Electrical Contractors	Daniel W Adams	Frankfort KY	CSS233468	David Bradshaw	Windham SchI Dist, Dominguez	Paul D Massey	San Antonio TX
AST233649	Robert Phillips	ETA International	Philip J Schmitt	Kalamazoo MI	CSS232696	Daniel Brennan	San Antonio Industrial SchI Dist	Paul D Massey	San Antonio TX
AST232643	Octavio Ramirez	ETA International	Eric L Ingram	Baldwin Park CA	CSS233207	Vincent Brewer	CALPIA	Veronica Preciado	Ione CA
AST233540	Jason Rausch	ECPI University	Christopher S Fritel	Newport News VA	CSS232418	Jerry Brink	CALPIA	Aliza Shaw	Jamestown CA
AST232561	Jeffrey Richmond	AE Electrical Contractors	Daniel W Adams	Frankfort KY	CSS233433	Trisha Brown	Windham School District	Debbie A White	Burnet TX
AST232635	Quinton Ritter	Ivy Tech Community College	Lacey Kingery	Indianapolis IN	CSS232414	Ronnie Brunson	CALPIA	Kimberly Hernandez	Jamestown CA
AST232637	Job Rivas	ETA International	Eric L Ingram	Baldwin Park CA	CSS233668	Terry Buford	CALPIA	Alix Heinen	Solano CA
AST228573	Santiago Robles	SCI Laurel Highlands	Harry J Hoffman	Somerset PA	CSS232451	Wayne Burleson	CALPIA	Alix Heinen	Folsom CA
AST232562	Tim Sanford	AE Electrical Contractors	Daniel W Adams	Frankfort KY	CSS232459	DeMario Burton	CALPIA - MCSP	Valerie J Linceal	Ione CA
AST232636	Randy Schaffer	ETA International	Eric L Ingram	Baldwin Park CA	CSS234203	Patricia Bussett	College of Western Idaho	Mikel R Douglas	Garden Valley ID
AST234157	Evan Sheehan	Upgrade	ETA International	Providence RI	CSS233467	Dalquinceno Byers	Windham SchI Dist, Dominguez	Paul D Massey	San Antonio TX
AST232406	Samuel Smigiel	Big Bend Technical College	Debra A Caley	Perry FL	CSS233088	Jhon Cadevid	Veterans Assembled electronics	Tracy R Smith	Orlando FL
AST232733	Abelardo Solis	Dustin M Sekula Mem Lbr	Omero Morales	Edinburg TX	CSS233667	Champagne Cain	CALPIA - Sierra Conservation Cntr	Eli Stewart	Jamestown CA
AST233014	Ronald Staffelli	Center for Combat Systems	Eric K Weber	Great Lakes IL	CSS233296	Dejana Cambic	Careerline Technology Center	Renee C Slagter	Holland MI
AST232644	Jason Torres	ETA International	Eric L Ingram	Baldwin Park CA	CSS233568	Christin Carr	ASI Institute	Destanie L Deale	Turnersville NJ
AST233899	Tyler Tucker	ECPI University	Philip J Barone	Greenville SC	CSS233295	Lezly Carrillo	Careerline Technology Center	Renee C Slagter	Holland MI
AST232571	Darrell Unger	Upgrade	ETA International	Greencastle IN	CSS233374	Cesar Castillo	CALPIA	Veronica Preciado	Ione CA
AST232575	Geoffrey Vines	Radio Solutions	Joseph S Casieri	Norwell MA	CSS234193	Eric Castillo	CALPIA	Cynthia M Vasquez	Tehachapi CA
AST233810	Byron Walker	Upgrade	ETA International	Greencastle IN	CSS233303	Ramon Caudle	CALPIA - Pelican Bay SP	Emilio Calles	Crescent City CA
AST233900	Austin Ward	TN College of Applied Technology	Carlton M Carter	Memphis TN	CSS233466	Christopher Cavazos	Windham SchI Dist, Dominguez	Paul D Massey	San Antonio TX
AST232563	Cheston White	AE Electrical Contractors	Daniel W Adams	Frankfort KY	CSS234081	Anthony Coffaney	CALPIA	Jay Allen Badeker	Susanville CA
AST232413	Jeffrey Yocum	SCI Laurel Highlands	Harry J Hoffman	Somerset PA	CSS233294	Autumn Cole	Careerline Technology Center	Renee C Slagter	Holland MI

Senior Certified Electronics Technician (CETsr)

SETGCT233194	Ricardo Chao	NWA Technical Services Inc	Ira M Wiesefeld	Tucson AZ	SETGCT233286	Mark Christopher	Springdale Public Library	Proctor	Tempe AZ
SETCSIA233718	Travis Colton	Motorola Solutions	J Shane Morris	Tempe AZ	SETCSIA233719	James Colville	Motorola Solutions	J Shane Morris	Tempe AZ
SETASAZ233721	William Corey	Motorola Solutions	Richard W Jamison	Tempe AZ	SETCSIA233723	Monty Dana	Motorola Solutions	J Shane Morris	Tempe AZ
SETGCT233186	Thomas Dean	NWA Technical Services Inc	Ira M Wiesefeld	Tucson AZ	SETIND232542	Robert Dye	Veterans Assembled electronics	Jeffrey M Shirreffs	Melbourne FL
SETIWD234167	Austin Ellis	373 Tng Squadron/Dtchmnt 20	Richard W Authement II	Little Rock AFB AR	SETAWN234342	Gilbert Espinosa	Brandman University	Humberto Ruiz	Whittier CA
SETCSIA233726	Steven Fiedler	Motorola Solutions	J Shane Morris	Tempe AZ	SETWNT234056	Jeremy Gener	ETA International	Eric L Ingram	Baldwin Park CA
SETCSIA233731	Robert Graves	Motorola Solutions	J Shane Morris	Tempe AZ	SETCSIA233733	Charles Greenawalt	Motorola Solutions	J Shane Morris	Tempe AZ
SETAWN232657	Zachery Gross	373 Tng Squadron/Dtchmnt 20	Richard W Authement II	Little Rock AFB	SETCSIA233734	Kyle Hasenhey	Motorola Solutions	J Shane Morris	Tempe AZ
SETCSIA233734	Kyle Hasenhey	Motorola Solutions	J Shane Morris	Tempe AZ	SETR56234380	Jimmy Hawthorne	Wytheville Community College	Bridget Preston	Wytheville VA
SETR56234380	Jimmy Hawthorne	Wytheville Community College	Bridget Preston	Wytheville VA	SETGCT233200	Matthew Hillmer	NWA Technical Services Inc	Ira M Wiesefeld	Tucson AZ
SETGCT233200	Matthew Hillmer	NWA Technical Services Inc	Ira M Wiesefeld	Tucson AZ	SETIND234020	Abraham Jackson	Veterans Assembled electronics	Jeffrey M Shirreffs	Melbourne FL
SETIND234020	Abraham Jackson	Veterans Assembled electronics	Jeffrey M Shirreffs	Melbourne FL	SETIASAZ232903	Mitchell Jackson	Tx Rx Systems Inc	Donald E Huston	Fl Lauderdale FL
SETIASAZ232903	Mitchell Jackson	Tx Rx Systems Inc	Donald E Huston	Fl Lauderdale FL	SETGCT233188	Christopher Jaime	NWA Technical Services Inc	Ira M Wiesefeld	Tucson AZ
SETGCT233188	Christopher Jaime	NWA Technical Services Inc	Ira M Wiesefeld	Tucson AZ	SETGCT233658	Harold Krohne	ETA International	Lawrence W Stark	Maryland Heights MO
SETGCT233658	Harold Krohne	ETA International	Lawrence W Stark	Maryland Heights MO	SETIND232408	Christopher Kyle	Veterans Assembled electronics	Francisco A Sablan	Bellevue FL
SETIND232408	Christopher Kyle	Veterans Assembled electronics	Francisco A Sablan	Bellevue FL	SETCSIA233745	Roger Lopez	Motorola Solutions	J Shane Morris	Tempe AZ
SETCSIA233745	Roger Lopez	Motorola Solutions	J Shane Morris	Tempe AZ	SETCSIA232894	John Main	Motorola Solutions	J Shane Morris	Fl Lauderdale FL
SETCSIA232894	John Main	Motorola Solutions	J Shane Morris	Fl Lauderdale FL	SETCSIA233754	Scott Nettgen	Motorola Solutions	J Shane Morris	Tempe AZ
SETCSIA233754	Scott Nettgen	Motorola Solutions	J Shane Morris	Tempe AZ	SETCSIA233755	Wesley Nosok	Motorola Solutions	J Shane Morris	Tempe AZ
SETCSIA233755	Wesley Nosok	Motorola Solutions	J Shane Morris	Tempe AZ	SETCSIA232898	Kevin M Peebles	Motorola Solutions	J Shane Morris	Fl Lauderdale FL
SETCSIA232898	Kevin M Peebles	Motorola Solutions	J Shane Morris	Fl Lauderdale FL	SETWNT234352	Octavio Ramirez	Brandman University	Humberto Ruiz	Whittier CA
SETWNT234352	Octavio Ramirez	Brandman University	Humberto Ruiz	Whittier CA	SETCSIA233780	Jeramy Ransom	Motorola Solutions	J Shane Morris	Tempe AZ
SETCSIA233780	Jeramy Ransom	Motorola Solutions	J Shane Morris	Tempe AZ	SETWCM232667	Tristen Raus	Meridian Library	Dawn Cronk	Meridian ID
SETWCM232667	Tristen Raus	Meridian Library	Dawn Cronk	Meridian ID	SETWNT234354	Job Rivas	Brandman University	Humberto Ruiz	Whittier CA
SETWNT234354	Job Rivas	Brandman University	Humberto Ruiz	Whittier CA	SETIWD234164	Ernesto Salcido	373 Tng Squadron/Dtchmnt 20	Richard W Authement II	Little Rock AFB AR
SETIWD234164	Ernesto Salcido	373 Tng Squadron/Dtchmnt 20	Richard W Authement II	Little Rock AFB AR	SETGSPV233792	Michael Stafford	Motorola Solutions	Anne B Simoni	Tempe AZ
SETGSPV233792	Michael Stafford	Motorola Solutions	Anne B Simoni	Tempe AZ	SETWNT234359	Jason Torres	Brandman University	Humberto Ruiz	Whittier CA
SETWNT234359	Jason Torres	Brandman University	Humberto Ruiz	Whittier CA	SETCSIA233795	Michael Vincent	Motorola Solutions	J Shane Morris	Tempe AZ
SETCSIA233795	Michael Vincent	Motorola Solutions	J Shane Morris	Tempe AZ	SETCS234256	Austin Ward	Upgrade	ETA International	Greencastle IN
SETCS234256	Austin Ward	Upgrade	ETA International	Greencastle IN	SETGCT233380	Clint Williams	Technical College - Lowcountry	C A Welsch-Copeland	Beaufort SC
SETGCT233380	Clint Williams	Technical College - Lowcountry	C A Welsch-Copeland	Beaufort SC	SETCSIA233798	Tyler Wolfe	Motorola Solutions	J Shane Morris	Tempe AZ
SETCSIA233798	Tyler Wolfe	Motorola Solutions	J Shane Morris	Tempe AZ					



Table with 10 columns: CERT. #, NAME, ORGANIZATION, PROCTOR, LOCATION, CERT. #, NAME, SCHOOL, PROCTOR, LOCATION. Rows include Barbara Olah, Ralph Palumbo, Charles Perkins, etc.

Electronics Modules - Digital (EM4)

Table with 5 columns: CERT. #, NAME, ORGANIZATION, PROCTOR, LOCATION. Rows include Marcus Bailey, Eric Broadus, Simon Brown, etc.

Table with 5 columns: CERT. #, NAME, SCHOOL, PROCTOR, LOCATION. Rows include Steven G Baker, Phil J Shoemaker, Jeffrey M Jones, etc.

Electronics Modules - Comprehensive (EM5)

Table with 5 columns: CERT. #, NAME, ORGANIZATION, PROCTOR, LOCATION. Rows include Avey Bowens, Eric Broadus, Simon Brown, etc.

Fiber Optics Installer (FOI)

Table with 5 columns: CERT. #, NAME, ORGANIZATION, PROCTOR, LOCATION. Rows include Jared Abby, Thomas Abercrombie, Trenton Abrams, etc.

NEW ETA CERTIFIED TECHNICIANS

The following is a list of professionals who have earned new certifications between February 1 and March 31, 2020 under one or more of ETA International's 80+ certification programs. Names of these highly qualified technicians have earned ETA's formal endorsement and approval.

CERT. #	NAME	ORGANIZATION	PROCTOR	LOCATION	CERT. #	NAME	SCHOOL	PROCTOR	LOCATION
FOI232522	Montavis Cofield	335th Signal Brigade TP	Craig Jenkins	Camp Arifjan Kuwait	FOI234128	Chris Goodrich	Light Brigade	Michael R Wilder	Denver CO
FOI233156	Jeremy Cok	Light Brigade	Phil J Shoemaker	Santa Fe NM	FOI234086	Kenneth Gossett	Sheppard AFB	Steven G Baker	Sheppard AFB TX
FOI232887	Guy Collins	Light Brigade	Mark P Kazes	Huntsville AL	FOI234264	Wyatt Grant	335th Signal Brigade TP	Craig Jenkins	Camp Arifjan Kuwait
FOI234260	Kadasia Collins	335th Signal Brigade TP	Craig Jenkins	Camp Arifjan Kuwait	FOI233242	Brandon Green	335th Signal Brigade TP	Craig Jenkins	Camp Arifjan Kuwait
FOI233694	Oswaldo Colon	Universidad Metropolitana	Jonathan S Friedman	Barceloneta PR	FOI233657	Norman Grigsby	Infotec	Charles E Casbeer Jr	Virginia Beach VA
FOI232540	Ben Colon-Hellstrom	335th Signal Brigade TP	Craig Jenkins	Camp Arifjan Kuwait	FOI233520	Brandon Guesstford	Light Brigade	Ricardo S Serenil	Council Bluffs IA
FOI232859	Christopher Comer	Light Brigade	Michael R Wilder	Atlanta GA	FOI234147	Joshua Guillaume-Sam	364th TRS Telecomm Trng Flight	Matthew D Hugo	Sheppard AFB TX
FOI233237	Annalisa Conroy	335th Signal Brigade TP	Craig Jenkins	Camp Arifjan Kuwait	FOI233502	Saurabh Gupta	Light Brigade	Steven Kanomata	Sunnyvale CA
FOI234320	Dylan Contreras	335th Signal Brigade TP	Craig Jenkins	Camp Arifjan Kuwait	FOI232461	Curtis Hagy	Infotec	Charles E Casbeer Jr	Virginia Beach VA
FOI233238	Jalen Corbett	335th Signal Brigade TP	Craig Jenkins	Camp Arifjan Kuwait	FOI233909	Richard Hale	Light Brigade	Michael R Wilder	Richmond VA
FOI233697	Eric Cordero Santiago	Universidad Metropolitana	Jonathan S Friedman	San Juan PR	FOI233221	Brian Hall	335th Signal Brigade TP	Craig Jenkins	Camp Arifjan Kuwait
FOI232615	Domenic Cordle	Light Brigade	Sean M Sheedy	Anchorage AK	FOI234401	Justin Hall	Light Brigade	Craig Jenkins	Kansas City KS
FOI232539	Jorge Corpus	335th Signal Brigade TP	Craig Jenkins	Camp Arifjan Kuwait	FOI234112	Joseph Halford	Light Brigade	Todd H Russell	Orlando FL
FOI232881	Austin Cox	Light Brigade	Cameron L Karch	Langley WA	FOI233145	Craig Hamlet	Light Brigade	Sean M Sheedy	Sacramento CA
FOI234123	Jason Cox	Light Brigade	Michael R Wilder	Denver CO	FOI234137	Jonathan Hammann	FiberOptic.com	David J Cameron	Las Vegas NV
FOI234321	Jeremy Craft	335th Signal Brigade TP	Craig Jenkins	Camp Arifjan Kuwait	FOI233922	Martin Hammond	Light Brigade	Jeffrey A Noble	Palm Bay FL
FOI233483	Timothy Craig	Fort Hood Signal University	Jeffrey M Jones	Ft Hood TX	FOI232886	Ben Hanback	Light Brigade	Mark P Kazes	Huntsville AL
FOI233510	Joel Cruz	Light Brigade	Adeyemi O Adu	Sterling VA	FOI234290	David Handon	335th Signal Brigade TP	Phil J Shoemaker	Dayton OH
FOI232502	Xavier Cruz	364 TRS/TTKMS	Steven G Baker	Sheppard AFB TX	FOI234397	Colin Hardman	Light Brigade	Jeffrey A Noble	Palm Bay FL
FOI232850	Tyler Culpepper	Light Brigade	Mark P Kazes	Columbus OH	FOI233923	Robert Harper	Light Brigade	Craig Jenkins	Camp Arifjan Kuwait
FOI234124	Ryan Cumpston	Light Brigade	Michael R Wilder	Denver CO	FOI234325	Deontrey Harrell	335th Signal Brigade TP	Mark P Kazes	Huntsville AL
FOI233537	Thomas Czuba	Light Brigade	Ricardo S Serenil	Council Bluffs IA	FOI232885	Craig Hellmich	Light Brigade	Eric K Edison	Minneapolis MN
FOI232858	Devin Dandridge	Light Brigade	Michael R Wilder	Atlanta GA	FOI232624	Bryan Herke	Brandsman University	Craig Jenkins	Camp Arifjan Kuwait
FOI233478	Jacquelyn Daniels	Fort Hood Signal University	Jeffrey M Jones	Ft Hood TX	FOI232537	Josue Hernandez	335th Signal Brigade TP	Mark P Kazes	Minneapolis MN
FOI233854	Marty Darnell	Light Brigade	Jeffrey A Noble	Duncan SC	FOI234385	Bryn Hertz	Light Brigade	Jeffrey A Noble	Palm Bay FL
FOI233921	Katelyn Dauson	Light Brigade	Jeffrey A Noble	Palm Bay FL	FOI233924	Michael Hibbs	Light Brigade	Scott B Teder	Ft Stewart GA
FOI233679	Caitlin David	Guam Community College	Terry F Kuper	Mangilao GU	FOI233766	Jonathan Hicks	Marne Signal University	Craig Jenkins	Camp Arifjan Kuwait
FOI233759	Austin DeBenedictis	Marne Signal University	Scott B Teder	Ft Stewart GA	FOI234266	Ethan Hill	335th Signal Brigade TP	Steven G Baker	Sheppard AFB TX
FOI233477	Eric Demel	Fort Hood Signal University	Jeffrey M Jones	Ft Hood TX	FOI234089	Skyler Hill	Sheppard AFB	Mark P Kazes	Minneapolis MN
FOI234322	Louis Demott	335th Signal Brigade TP	Craig Jenkins	Camp Arifjan Kuwait	FOI234386	Waltun Hillier	Light Brigade	Jeffrey A Noble	Palm Bay FL
FOI232275	Christopher Denison	OEMTD	James T Young	Ft Gordon GA	FOI233925	James Hiltz	Light Brigade	Craig Jenkins	Camp Arifjan Kuwait
FOI232521	Jordan Derowitsch	335th Signal Brigade TP	Craig Jenkins	Camp Arifjan Kuwait	FOI234326	Samuel Hoffman	335th Signal Brigade TP	Glenn D Burch	Virginia Beach VA
FOI234389	Rodney Devers	Light Brigade	Mark P Kazes	Memphis TN	FOI233110	Gregory Hogge	KITCO Fiber Optics	John C Dron	S Jordan UT
FOI234323	Christian Dewitt	335th Signal Brigade TP	Craig Jenkins	Camp Arifjan Kuwait	FOI233958	Dominic Horton	Light Brigade	Sean M Sheedy	Phoenix AZ
FOI234090	Katherine Di Scenza	Sheppard AFB	Steven G Baker	Sheppard AFB TX	FOI233932	Jakob Howcroft	Light Brigade	Sean M Sheedy	Billings MT
FOI233907	Casey Diamond	Light Brigade	Michael R Wilder	Richmond VA	FOI233944	Elysia Huber	Light Brigade	Jonathan S Friedman	Barceloneta PR
FOI234324	Andrew Dimas	335th Signal Brigade TP	Craig Jenkins	Camp Arifjan Kuwait	FOI233691	William Iguina Perez	Universidad Metropolitana	John C Dron	S Jordan UT
FOI232871	Jim Dimond	Light Brigade	Cameron L Karch	Tacoma WA	FOI233933	James Irvine	Light Brigade	Ricardo S Serenil	Council Bluffs IA
FOI232851	Sawyer Dohn	Light Brigade	Michael R Wilder	Atlanta GA	FOI233522	Austin Jackson	Light Brigade	Charles E Casbeer Jr	Virginia Beach VA
FOI233516	Renuccio Dominicci	Light Brigade	Brian McPherson	Atlanta GA	FOI232462	Nathaniel Jackson	Infotec	Phil J Shoemaker	Dayton OH
FOI233147	Craig Dorough	Light Brigade	Sean M Sheedy	Sacramento CA	FOI234396	Michael James	Light Brigade	Michael R Wilder	Atlanta GA
FOI234287	Henry Dougherty	335th Signal Brigade TP	Craig Jenkins	Camp Arifjan Kuwait	FOI232857	Johnathan Jaudon	Light Brigade	Brian McPherson	Atlanta GA
FOI232880	Tim Dresker	Light Brigade	Cameron L Karch	Langley WA	FOI233517	Lionel Jefferson	Light Brigade	Sheng-Yuan Cheng	Taiwan
FOI234125	Austin DuBois	Light Brigade	Michael R Wilder	Denver CO	FOI233548	Ray Jen	Light Brigade	Phil J Shoemaker	Mobile AL
FOI234262	Michael Durden	335th Signal Brigade TP	Craig Jenkins	Camp Arifjan Kuwait	FOI233560	Richard Jenkins	Light Brigade	Cameron L Karch	Langley VA
FOI232538	Fredrick EDGE	335th Signal Brigade TP	Craig Jenkins	Camp Arifjan Kuwait	FOI232878	Randall Jhanson	Light Brigade	Jeffrey M Jones	Ft Hood TX
FOI234263	Richard Ellis	335th Signal Brigade TP	Craig Jenkins	Camp Arifjan Kuwait	FOI233476	Jakob Johns	Fort Hood Signal University	Craig Jenkins	Camp Arifjan Kuwait
FOI233597	Keith Enger	Light Brigade	Todd H Russell	Sioux Center IA	FOI234268	Adam Johnson	335th Signal Brigade TP	Eric K Edison	Minneapolis MN
FOI233519	Brian Erhard	Light Brigade	Brian McPherson	Atlanta GA	FOI232536	Charles Johnson	335th Signal Brigade TP	Phil J Shoemaker	Mobile AL
FOI233638	Dale Ernst	CECOM - DVSU	Brandon T Peterson	Ft Riley KS	FOI234402	Evan Johnson	Light Brigade	Sean M Sheedy	Billings MT
FOI234305	John Eynson	KITCO Fiber Optics	William R Ralston	Virginia Beach VA	FOI234390	James Johnson	Light Brigade	Glenn D Burch	Virginia Beach VA
FOI233503	Todd Farmer	Light Brigade	Steven Kanomata	Sunnyvale CA	FOI234269	Derrick Jones	335th Signal Brigade TP	Michael R Karch	St Louis MO
FOI232440	Dallas Ferguson	Marne Signal University	Scott B Teder	Ft Stewart GA	FOI233487	Shawn Jordan	Fort Hood Signal University	Jeffrey A Noble	Kansas City KS
FOI232499	C Fernandez Arroyo	364 TRS/TTKMS	Steven G Baker	Sheppard AFB TX	FOI233910	William Joseph	Light Brigade	Jeffrey A Noble	Palm Bay FL
FOI233146	Edgar Ferraz	Light Brigade	Sean M Sheedy	Sacramento CA	FOI234270	Michael Karr	335th Signal Brigade TP	George W Munyallyo	Nairobi Kenya
FOI234288	Brett Fiesler	335th Signal Brigade TP	Craig Jenkins	Camp Arifjan Kuwait	FOI232616	Patrick Kearney	Brandsman University	Todd H Russell	Sioux Center IA
FOI234126	Arnold Fisher	Light Brigade	Michael R Wilder	Denver CO	FOI233559	Justin Keith	Light Brigade	Jeffrey A Noble	Kansas City KS
FOI234127	Ryan Fleming	Light Brigade	Michael R Wilder	Denver CO	FOI233945	Isaiah Keller	Light Brigade	OEMTD	Ft Gordon GA
FOI233855	Michael Fletcher	Light Brigade	Jeffrey A Noble	Duncan SC	FOI232789	Robert Kello	KITCO Fiber Optics	Sean M Sheedy	Sacramento CA
FOI232675	Kah Wai, Marvin Foong	FiberOpto Asia	Boon Kwee Thiam	Singapore Singapore	FOI232845	Blaine Kelly	Light Brigade	Jeffrey A Noble	Kansas City KS
FOI234398	Thomas Fowler	Light Brigade	Phil J Shoemaker	Dayton OH	FOI234403	Cameron Kemper	Light Brigade	Craig Jenkins	Camp Arifjan Kuwait
FOI233155	Daniel Franco	Light Brigade	Phil J Shoemaker	Santa Fe NM	FOI233926	Joseph Kessler	Light Brigade	Jeffrey A Noble	Palm Bay FL
FOI233240	A Alexandria Fraser	335th Signal Brigade TP	Craig Jenkins	Camp Arifjan Kuwait	FOI233903	Harmeet Khalsa	Computer Learning Center	George W Munyallyo	Nairobi Kenya
FOI233533	Kevin Freedman	Light Brigade	Ricardo S Serenil	Council Bluffs IA	FOI233595	Cody Kiers	Light Brigade	Todd H Russell	Sioux Center IA
FOI233154	Nancy Fujikado	Light Brigade	Phil J Shoemaker	Santa Fe NM	FOI234404	Mike King	Light Brigade	Jeffrey A Noble	Kansas City KS
FOI233493	Omar Fullerton	Fort Hood Signal University	Jeffrey M Jones	Ft Hood TX	FOI233643	Robert Koch	OEMTD	Sean M Sheedy	Sacramento CA
FOI232879	Larry Gallardo	Light Brigade	Cameron L Karch	Langley WA	FOI233144	Dmitry Koltunova	Light Brigade	Jeffrey A Noble	Kansas City KS
FOI234111	Steven Gabel	Light Brigade	Todd H Russell	Orlando FL	FOI234405	Eric Kormeyer	Light Brigade	Craig Jenkins	Camp Arifjan Kuwait
FOI233220	Jorge Gamez Gutierrez	335th Signal Brigade TP	Craig Jenkins	Camp Arifjan Kuwait	FOI234291	Mikelis Krelits	335th Signal Brigade TP	Craig Jenkins	Camp Arifjan Kuwait
FOI232520	Jessenia Garcia	335th Signal Brigade TP	Craig Jenkins	Camp Arifjan Kuwait	FOI233223	Kofivi Ladeh-Ahliadza	335th Signal Brigade TP	Craig Jenkins	Camp Arifjan Kuwait
FOI233908	Arthur Garner	Light Brigade	Michael R Wilder	Richmond VA	FOI214702	Jarrett Laird	CECOM - DVSU	Brandon T Peterson	Ft Riley KS
FOI233583	Randy Garrett	Light Brigade	John C Dron	San Diego CA	FOI233911	Matthew Lamplugh	Light Brigade	Michael R Wilder	Richmond VA
FOI233768	Mason Garvin	Marne Signal University	Scott B Teder	Ft Stewart GA	FOI234088	Dalton Lane	Sheppard AFB	Steven G Baker	Sheppard AFB TX
FOI233561	Laurent Gaudy	Light Brigade	Phil J Shoemaker	Mobile AL	FOI234108	Chris LaPerle	Light Brigade	Cameron L Karch	Kent WA
FOI234289	Jasmine Gayle-Charles	335th Signal Brigade TP	Craig Jenkins	Camp Arifjan Kuwait	FOI234392	Danny Lavelle	Light Brigade	Mark P Kazes	Memphis TN
FOI233596	Derek Genlger	Light Brigade	Todd H Russell	Sioux Center IA	FOI234391	Terry Lavelle	Light Brigade	Mark P Kazes	Memphis TN
FOI233129	Jaleh Gibson	364 TRS/TTKMS	Steven G Baker	Sheppard AFB TX	FOI233245	Ian Lechowicz	335th Signal Brigade TP	Craig Jenkins	Camp Arifjan Kuwait
FOI233767	Daniel Gilbert	Marne Signal University	Scott B Teder	Ft Stewart GA	FOI233549	Oliver Kohan Lee	Light Brigade	Joe Foo Chan Ming	Taiwan
FOI234364	Lloyd Glasier	Fort Hood Signal University	Jeffrey M Jones	Ft Hood TX	FOI232680	Wei Keat Leong	FiberOpto Asia	Boon Kwee Thiam	Singapore Singapore
FOI232677	Seet Guan Go	FiberOpto Asia	Boon Kwee Thiam	Singapore Singapore	FOI234129	William LeRoy	Light Brigade	Michael R Wilder	Denver CO
FOI234087	Tony Godbold	364 TRS/TTKMS	Steven G Baker	Sheppard AFB TX	FOI232856	Andrew Lewis	Light Brigade	Michael R Wilder	Atlanta GA
FOI234302	Fortunato Godoy	KITCO Fiber Optics	William R Ralston	Virginia Beach VA	FOI232682	Ee Tong Lim	FiberOpto Asia	Boon Kwee Thiam	Singapore Singapore
FOI233957	Carlos Gomez	Light Brigade	Sean M Sheedy	Phoenix AZ	FOI233551	Yi Wen Lin	Light Brigade	Ryan Tan	Taiwan
FOI233931	Jason Gonzales	Light Brigade	John C Dron	S Jordan UT	FOI232623	Andrew Lindstrom	Brandsman University	Eric K Edison	Minneapolis MN
FOI234244	Camila Gonzalez	Screaming Eagle Network Univ	Jeffery J Austin	Ft Campbell KY	FOI234140	Garrett Lisle	FiberOptic.com	David J Cameron	Las Vegas NV
FOI233681	Jaimy Gonzalez	Universidad Metropolitana	Jonathan S Friedman	Barceloneta PR	FOI234161	Sean Locke	OEMTD	James T Young	Ft Gordon GA

NEW ETA CERTIFIED TECHNICIANS

The following is a list of professionals who have earned new certifications between February 1 and March 31, 2020 under one or more of ETA International's 80+ certification programs. Names of these highly qualified technicians have earned ETA's formal endorsement and approval.

CERT. #	NAME	ORGANIZATION	PROCTOR	LOCATION	CERT. #	NAME	SCHOOL	PROCTOR	LOCATION
Fiber Optics Technician - Outside Plant (FOSP)					GTR 8000 P25 RF Site Performance Verification (GSPV)				
FOSP234094	Ibrahim Alaamri	Light Brigade - Oman Fiber Optic	Hitesh Sharma	Muscat Oman	GCT1233197	Julian Moreno	IWA Technical Services Inc	Ira M Wiesenfeld	Tucson AZ
FOSP234093	Salim Albusaidi	Light Brigade - Oman Fiber Optic	Hitesh Sharma	Muscat Oman	GCT1232632	Joshua Percival	S Puget Sound Community Coll	Proctor	Olympia WA
FOSP233972	Mazin Al-Farsi	Light Brigade - Oman Fiber Optic	Hitesh Sharma	Muscat Oman	GCT1233195	Joseph Smith	IWA Technical Services Inc	Ira M Wiesenfeld	Tucson AZ
FOSP234092	Elyas Al-Kindy	Light Brigade - Oman Fiber Optic	Hitesh Sharma	Muscat Oman	GCT1233189	Christopher Tomei	IWA Technical Services Inc	Ira M Wiesenfeld	Tucson AZ
FOSP234091	Mustafa Al-Zadjali	Light Brigade - Oman Fiber Optic	Hitesh Sharma	Muscat Oman	GCT1234107	Moises Valdez	College of the Desert	Jill M Flannery	Palm Desert CA
FOSP232591	Eva Armanto	Light Brigade	John C Dron	Los Angeles CA	GSPV233713	Russell Bobbitt	Motorola Solutions	Anne B Simoni	Tempe AZ
FOSP233122	Jake Bambulas	VanTek Consulting LLC	Keith Van Wemmer	Phoenix AZ	GSPV232972	Wendell Cordle	Motorola Solutions	Christopher A Hoch	Ft Lauderdale FL
FOSP234096	Kevin Bates	Light Brigade	John C Dron	Firefly VA	GSPV232991	John Harman	Motorola Solutions	Curtis A Spence	Ft Lauderdale FL
FOSP232607	Michael Burrows	Light Brigade	Phil J Shoemaker	Hamilton Bermuda	GSPV232984	Fred Jacopello	Motorola Solutions	Curtis A Spence	Ft Lauderdale FL
FOSP233164	Joel Cavanaugh	Light Brigade	John C Dron	Anchorage AK	GSPV233746	Paul Lukaszuk	Motorola Solutions	Anne B Simoni	Tempe AZ
FOSP234097	Sean Corbett	Light Brigade	John C Dron	Firefly VA	GSPV233748	Robert Margiotta	Motorola Solutions	Anne B Simoni	Tempe AZ
FOSP232593	Paul Cracium	Light Brigade	John C Dron	Los Angeles CA	GSPV232984	Michael Noud	Motorola Solutions	Curtis A Spence	Ft Lauderdale FL
FOSP234098	Chris Davis	Light Brigade	John C Dron	Firefly VA	GSPV232980	James Scanlon	Motorola Solutions	Curtis A Spence	Ft Lauderdale FL
FOSP232606	Gregory Dolphin	Light Brigade	John C Dron	Los Angeles CA	GSPV232979	Matthew Street	Motorola Solutions	Curtis A Spence	Ft Lauderdale FL
FOSP232608	Garrett Faries	Light Brigade	Phil J Shoemaker	Hamilton Bermuda	GSPV232967	Samuel Thomas	Motorola Solutions	Curtis A Spence	Ft Lauderdale FL
FOSP233163	Kelvan Fulcher	Light Brigade	John C Dron	Anchorage AK	GSPV232966	Bill Wolfe	Motorola Solutions	Curtis A Spence	Ft Lauderdale FL
FOSP233124	Jose Garcia-Soto	VanTek Consulting LLC	Keith Van Wemmer	Phoenix AZ	GSPV232974	Michael Yeh	Motorola Solutions	Curtis A Spence	Ft Lauderdale FL
FOSP233120	David Grimm	VanTek Consulting LLC	Keith Van Wemmer	Phoenix AZ	GTR 8000 Repeater Site Technician (GTT)				
FOSP232609	Ronald Harris	Light Brigade	Phil J Shoemaker	Hamilton Bermuda	GTR232430	Alexander Kulp	ETA International	Dean W Jacobs	Harrisburg PA
FOSP232610	Kyle Hodsoll	Light Brigade	Phil J Shoemaker	Hamilton Bermuda	Gaming and Vending Technician (GVT)				
FOSP232605	M'kai Hodsoll	Light Brigade	Phil J Shoemaker	Hamilton Bermuda	GVT232769	Amanda Grundy	Veterans Assembled electronics	Steven E Valla	Melbourne FL
FOSP233162	Walter Ingalls	Light Brigade	John C Dron	Anchorage AK	Information Technology Security (ITS)				
FOSP233123	Devin Jenkins	VanTek Consulting LLC	Keith Van Wemmer	Phoenix AZ	ITS232807	Paul Cink	Rollover	ETA International	Greencastle IN
FOSP232596	Miguel Macedo	Light Brigade	John C Dron	Los Angeles CA	ITS233378	Socheate Hean	Rollover	ETA International	Greencastle IN
FOSP234099	Xavier McCray	Light Brigade	John C Dron	Firefly VA	ITS234165	William Lloyd	Rollover	ETA International	Greencastle IN
FOSP234100	Jared Noel	Light Brigade	John C Dron	Firefly VA	ITS232965	Joshua McMillen	Rollover	ETA International	Greencastle IN
FOSP232597	Richard Peralta	Light Brigade	John C Dron	Los Angeles CA	ITS233801	Briar Smith	Rollover	ETA International	Greencastle IN
FOSP233121	Roldan Ramos	VanTek Consulting LLC	Keith Van Wemmer	Phoenix AZ	Mobile Communications and Electronics Installer (MCEI)				
FOSP233160	Andrew Rosenberger	Light Brigade	John C Dron	Anchorage AK	MCEI233105	Douglas Coulter	Loudoun CPL Gum Springs	Brett Mason	Stone Ridge VA
FOSP232612	Georg Scott	Light Brigade	Phil J Shoemaker	Hamilton Bermuda	M Core Technician (MCT)				
FOSP232601	Patrick Sullivan	Light Brigade	John C Dron	Los Angeles CA	MCT232433	Jacob Guringo	ETA International	Dean W Jacobs	Harrisburg PA
FOSP234101	William Wacholtz	Light Brigade	John C Dron	Firefly VA	MCT232767	James Platigos	Coastal Carolina Cmnty College	Justin K Sokolowski	Jacksonville NC
FOSP233159	David Wilson	Light Brigade	John C Dron	Anchorage AK	Network Systems Technician (NST)				
FOSP232602	Anthony Ybarra	Light Brigade	John C Dron	Los Angeles CA	NST232964	Joshua McMillen	Rollover	ETA International	Greencastle IN
FOSP233158	Joseph Zimmerman	Light Brigade	John C Dron	Anchorage AK	NST233472	Austin Ward	Rollover	ETA International	Greencastle IN
Fiber Optics Technician (FOT)					Photovoltaic Installer - Level 1 (PVI1)				
FOT233617	Jim Arnold	Brandman University	Debra J Cruickshank	Marble Falls TX	PVI1233312	Davit Azaryan	Glendale Community College	Patrick Shahnazarian	Glendale CA
FOT233605	James Babin	Brandman University	Debra J Cruickshank	Marble Falls TX	PVI1233308	Narek Boghosian	Glendale Community College	Patrick Shahnazarian	Glendale CA
FOT233837	Ariana Berry	Infotec	Charles E Casbeer Jr	Virginia Beach VA	PVI1233314	Matthew Bracht	Glendale Community College	Patrick Shahnazarian	Glendale CA
FOT233616	Nicholas Brooks	Brandman University	Debra J Cruickshank	Marble Falls TX	PVI1233310	Garrett Byrne	Glendale Community College	Patrick Shahnazarian	Glendale CA
FOT233615	Craig Campbell	Brandman University	Debra J Cruickshank	Marble Falls TX	PVI1233304	Artur Chazaryan	Glendale Community College	Patrick Shahnazarian	Glendale CA
FOT233614	Devin Farrell	Brandman University	Debra J Cruickshank	Marble Falls TX	PVI1233322	Hamlet Dilanchian	Glendale Community College	Patrick Shahnazarian	Glendale CA
FOT233838	Norman Grigsby	Infotec	Charles E Casbeer Jr	Virginia Beach VA	PVI1233311	Haygaz Eivazian	Glendale Community College	Patrick Shahnazarian	Glendale CA
FOT232576	Curtis Hagy	Infotec	Charles E Casbeer Jr	Virginia Beach VA	PVI1233305	Melvin Ghadimi	Glendale Community College	Patrick Shahnazarian	Glendale CA
FOT233612	Justin Hicks	Brandman University	Debra J Cruickshank	Marble Falls TX	PVI1233318	Vigen Grigoryan	Glendale Community College	Patrick Shahnazarian	Glendale CA
FOT233112	Gregory Hogge	KITCO Fiber Optics	Glenn D Burch	Virginia Beach VA	PVI1233316	Fred Haghazarian	Glendale Community College	Patrick Shahnazarian	Glendale CA
VA FOT232577	Nathaniel Jackson	Infotec	Charles E Casbeer Jr	Virginia Beach VA	PVI1233320	Harutyun Hakobyan	Glendale Community College	Patrick Shahnazarian	Glendale CA
FOT232790	Robert Kello	KITCO Fiber Optics	Glenn D Burch	Virginia Beach VA	PVI1233321	Jakob Hofmann	Glendale Community College	Patrick Shahnazarian	Glendale CA
FOT233772	Robert Koch	OEMTD	Brian N Koback	Ft Gordon GA	PVI1233307	Razmik Khosravian	Glendale Community College	Patrick Shahnazarian	Glendale CA
FOT232410	John Lee	OEMTD	James T Young	Marble Falls TX	PVI1233319	Senik Muradyan	Glendale Community College	Patrick Shahnazarian	Glendale CA
FOT233611	Russell Meyer	Brandman University	Debra J Cruickshank	Marble Falls TX	PVI1233315	Carlos Perez	Glendale Community College	Patrick Shahnazarian	Glendale CA
FOT232660	Steven Miller	OEMTD	James T Young	Ft Gordon GA	PVI1233313	Christopher Rivera	Glendale Community College	Patrick Shahnazarian	Glendale CA
FOT233618	Eugene Morales	Brandman University	Debra J Cruickshank	Marble Falls TX	PVI1233309	Sasoonik Sadeghi	Glendale Community College	Patrick Shahnazarian	Glendale CA
FOT232780	Luke Oliver	OEMTD	James T Young	Ft Gordon GA	PVI1233317	Loris Zakareian	Glendale Community College	Patrick Shahnazarian	Glendale CA
FOT232798	Anthony Parker	KITCO Fiber Optics	Glenn D Burch	Virginia Beach VA	PVI1233306	Daniel Zepeda	Glendale Community College	Patrick Shahnazarian	Glendale CA
FOT232796	Christopher Prince	KITCO Fiber Optics	Glenn D Burch	Virginia Beach VA	R56 Installer (R56)				
FOT233610	Jody Rieken	Brandman University	Debra J Cruickshank	Marble Falls TX	R56234332	Jack Lacher	Bismarck State College	Jessie Meckle	Bismarck ND
FOT233839	Spencer Rzonca	Infotec	Charles E Casbeer Jr	Virginia Beach VA	SAE Fiber Optics Fabricator (SFF)				
FOT233773	Donvie Sanders	OEMTD	Brian N Koback	Ft Gordon GA	SFF232788	Charles Asaro	KITCO Fiber Optics	Mark M Myland	National City CA
FOT232794	Mark Sciandra	KITCO Fiber Optics	Glenn D Burch	Virginia Beach VA	Small Wind Installer (SWI)				
FOT232732	Dale Seward	OEMTD	James T Young	Ft Gordon GA	SWI1234233	Joseph Dawson	Blue Rock Station	Jay Warmke	Zanesville OH
FOT233840	Jordan Tang	Infotec	Charles E Casbeer Jr	Virginia Beach VA	SWI1234232	Abigail Gallis	Blue Rock Station	Jay Warmke	Zanesville OH
FOT233841	Cynthia Vermillion	Infotec	Charles E Casbeer Jr	Virginia Beach VA	SWI1234236	Skyler Hill	Blue Rock Station	Jay Warmke	Zanesville OH
FOT233771	Lisa Wallen	OEMTD	Brian N Koback	Ft Gordon GA	SWI1234231	Christian McKee	Blue Rock Station	Jay Warmke	Zanesville OH
FOT233608	Thomas Whitney	Brandman University	Debra J Cruickshank	Marble Falls TX	SWI1234238	Austin Paisley	Blue Rock Station	Jay Warmke	Zanesville OH
FOT233843	Ryan Wilkinson	Infotec	Charles E Casbeer Jr	Virginia Beach VA	SWI1234234	Kiefer Spangler	Blue Rock Station	Jay Warmke	Zanesville OH
FOT232578	Sean Woods	Infotec	Charles E Casbeer Jr	Virginia Beach VA	SWI1234237	Cory Todd	Blue Rock Station	Jay Warmke	Zanesville OH
FOT233607	Anthony Wooten	Brandman University	Debra J Cruickshank	Marble Falls TX	SWI1234229	Daniel Wells	Blue Rock Station	Jay Warmke	Zanesville OH
FOT233842	Nicholas Zamora	Infotec	Charles E Casbeer Jr	Virginia Beach VA					
General Communications Technician, Level 1 (GCT1)									
GCT1233193	Ricardo Chao	IWA Technical Services Inc	Ira M Wiesenfeld	Tucson AZ					
GCT1233185	Thomas Dean	IWA Technical Services Inc	Ira M Wiesenfeld	Tucson AZ					
GCT1233199	Matthew Hillmer	IWA Technical Services Inc	Ira M Wiesenfeld	Tucson AZ					
GCT1233187	Christopher Jaime	IWA Technical Services Inc	Ira M Wiesenfeld	Tucson AZ					
GCT1233191	Felizardo Loya	IWA Technical Services Inc	Ira M Wiesenfeld	Tucson AZ					
GCT1233201	Joel Marcott	IWA Technical Services Inc	Ira M Wiesenfeld	Tucson AZ					



CERT. #	NAME	ORGANIZATION	PROCTOR	LOCATION	CERT. #	NAME	SCHOOL	PROCTOR	LOCATION
Wireless Networking Technician (WNT)									
WNT233999	Samuel Aguilar	Brandman University	Debra J Cruickshank	Monteca CA	WNT234047	Ruben Caballero	ETA International	Eric L Ingram	Baldwin Park CA
WNT234045	Bryan Alcaraz	ETA International	Eric L Ingram	Baldwin Park CA	WNT233998	Julio Canizales	Brandman University	Debra J Cruickshank	Monteca CA
WNT233706	Gregory Ammerman	Brandman University	Humberto Ruiz	Victorville CA	WNT234341	David Catzin	Brandman University	Humberto Ruiz	Whittier CA
WNT234065	Jim Arnold	Brandman University	Eugene R Morales Jr	Marble Falls CA	WNT234064	Eric Edison	ETA International	Eric L Ingram	Baldwin Park CA
WNT234066	James Babin	Brandman University	Eugene R Morales Jr	Marble Falls TX	WNT234048	James Edwards	ETA International	Eric L Ingram	Baldwin Park CA
WNT234339	Edwin Bennett	Brandman University	Humberto Ruiz	Whittier CA	WNT234055	Elaine Eide	ETA International	Eric L Ingram	Baldwin Park CA
WNT234067	Nicholas Brooks	Brandman University	Eugene R Morales Jr	Marble Falls TX	WNT234068	Devin Farrell	Brandman University	Eugene R Morales Jr	Marble Falls TX
WNT233705	Jody Brown	Brandman University	Humberto Ruiz	Victorville CA	WNT234344	David Gamboa	Brandman University	Humberto Ruiz	Whittier CA
WNT234340	Karl Brown	Brandman University	Humberto Ruiz	Whittier CA	WNT234049	Alejandro Garcia	ETA International	Eric L Ingram	Baldwin Park CA
					WNT234345	Rudy Gaxiola	Brandman University	Humberto Ruiz	Whittier CA
					WNT234306	Ernest Gonzales	Brandman University	Eugene R Morales Jr	Humble TX

ETA Celebrates 10-Year Members

David Crist, CETsr	Dayton OH	David Suarez, CETsr	Timonium MD
Antoine Dennis, CET	Beavercreek OH	James King, CET	Norway SC
Samuel Howard, CETsr	Peoria Heights IL	Richard Murray, CET	Gillette WY
Richard Kerman, CETsr	Elida OH	James Lawler, CETsr	Columbia MO
Eric Mack, CETsr	Superior WI	Michael Hudson, CETsr	Boise ID
Jesse Neu, CETsr	Middlesex NJ	Thomas Smith, CETsr	Columbia SC
Stephen Norwood, CETsr	Dry Branch GA	Ray Bunton, CETsr	Milford CT
Wesley Meadows, CET	St Petersburg FL	Donald Gabel, CETsr	Parker CO
Jeff Hall, CET	Irmo SC	John Williams, CET	Columbus OH
James Coe, CETsr	Marrero LA	Eddie Ratliff, CETsr	Prestonsburg KY
Lloyd Armstrong, CETsr	Hahnville LA	Brett Hoskinson, CET	Dresbach MN
Thomas Mott, CETsr	Frewsburg NY	John Laskowski, CETsr	Rickson CityPA
Giuseppe Malleo, CETma	Lodi NU	Sharon Macy, CET	Del Rio TX
David Morris, CETsr	Memphis TN	Joe Borovetz, CETsr	Muskogee OK
Donald Rhoney, CET	Stokesdale NC	Randall Torrence, CET	Orlando FL
Davi Burch, CETsr	Shelbyville IN	Guido Grille, CET	Oviedo FL
Dave Bowles, CET	Richmond VA	William Suggs	Roswell GA
Michael Day, CET I	Indianola IA	Anthony Pintor, CSS	Greencastle IN
Charles Duke, CET	Orlando FL	Randy Lundsten, CETsr	North Mankato MN
Richard Gunter, CETsr	Wheatfield IN	Gary F. Hendrick, CETsr	Tupelo MS
Carson Kindall	Cambridge ID	Steve Jones	Dallas TX
Gary Parent, CETsr	Saratoga Springs NY	Charles Wanat, CET	Arlington TX
Randall Zimmer, CET	Winter Park FL	Michael Niehaus, CET	Evansville IN
Danny Pace, CETsr	Byron GA	Robert Burns, CET	Baltimore MD
Keith Antoff, CET	Granite City IL	Mark Baranski	Youngstown OH
Ricky Duchaine, CETsr	Wolcott CT	Noel Checa	Bergenfield NJ
Richard Diffendal, CET	Westminster MD	Michael Shannon	Seattle WA
		John Nastasi	Youngstown OH

ETA Welcomes Newest Lifetime Member

Michael Scott Military APO

The AWESOME CUBE #1 STEM-based LED project kit

- Students LOVE the CUBE – and show it off to their friends
- PIC microcontroller – can be used with our programming tutorial
- Through hole *and* SMT – advanced kit at a value price



FREE Evaluation Kit for Instructors!
www.awesomecube.com

Birthday gift idea for electronics techs?

SHORTS!

CERTIFIED SERVICE CENTERS:



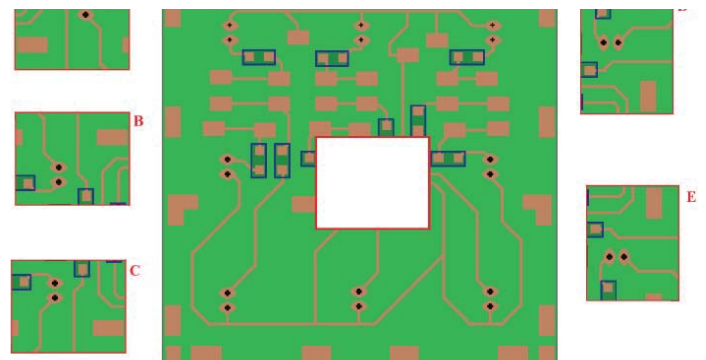
NEW & RENEWED
FEBRUARY & MARCH 2020

- Ancom Communications & Technical Center - Burnsville, MN 1 satellite
- BearCom Canada - Edmonton, AB 7 satellites - New
- Communications Service - Painesville, OH
- Com Pros - Altoona, PA
- Electronic Engineering Company – Des Moines, IA
- Electronic Maintenance & Communications – Sebring, FL
- Granite Electronics – St. Cloud, MN
- Midstates Communications – Oriskany, NY
- Midwest Mobile Radio Communications – St. Joseph, MO
- Mobile Communication Services, Inc. – Livonia, MI
- NYCOMCO – Poughkeepsie, NY
- P&R Communications - Dayton, OH
- Staley Technologies – New Philadelphia, OH
- Supreme Radio Communications - Peoria Heights, IL - 4 satellites
- RCS Communications - Louisville, KY - 1 satellite
- Westcan Advanced Communications Solutions - Kitchener, ON
- Wireless Communications & Electronics – Philadelphia, PA

Cube Puzzle

by Rich Agard, RESIma

Which of the Segments (A-D)
Fit into the Empty Area?



Answer on page 21